

evolution™ Pit Mount Interfaces



The evolution Pit Mount Interface (PMI) can be utilized for evoNet™ AMI or mobile AMR systems to provide extra range for hard-to-read evolution Radio Transceiver Modules (evoRTM™) and for maximum RF penetration through pit lids that diminish signals.

Elster AMCO Water PMI solutions are available in two distinct versions – Standard and Passive Radiator. Both versions provide cost effective solutions for many pit applications including cast iron, concrete, and composite. The PMIs can accommodate pit lids which are up to 1 7/8 inch thick with a mounting-hole diameter of 1 7/8 inches.

The passive-radiator PMI kit includes a 1/4" thick spacer that can be used to raise the top of the PMI a total of 1/2" above the top surface of the lid in applications where this is practical. This enables a stronger signal on both transmit and receive.

The use of the passive-radiator PMI is highly recommended in evoNet AMI systems to increase the transmission reliability of the RTM under various, uncontrollable environmental conditions. Use of this PMI is also encouraged for hard-to-read conditions in mobile AMR systems caused by distance, pit lid material and other obstacles.

The PMI is manufactured of high-quality polypropylene to withstand high traffic areas and is UV protected for long life.

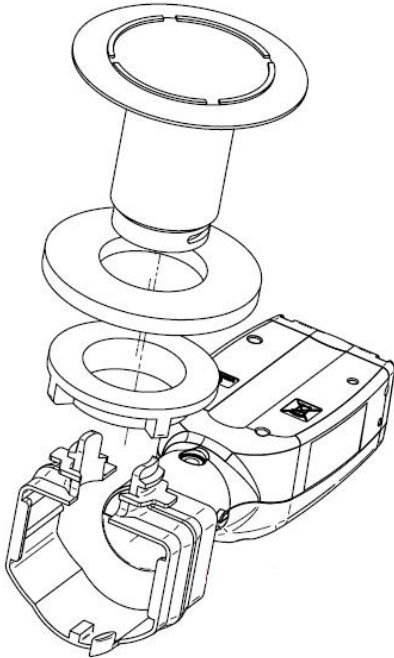
PMI Features and benefits

- Installation flexibility
- Passive radiator improves signal
- Both Standard and Passive-radiator PMIs keep the RTM close to the bottom of the pit lid
- Both help overcome lid signal attenuation
- Rugged polymer
- UV protected

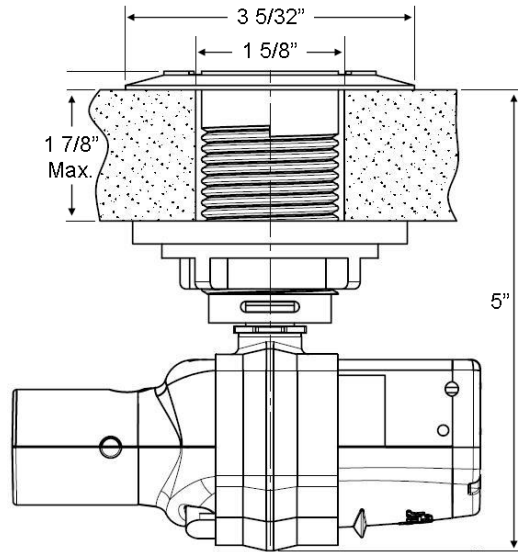


Elster AMCO Water offers two versions of pit mount interfaces that provide mounting flexibility and optimal performance.

Standard PMI



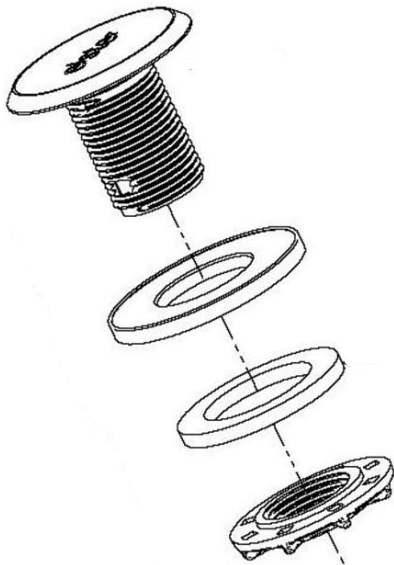
Saddle-mount Kit BQA5819
(RTM not included)



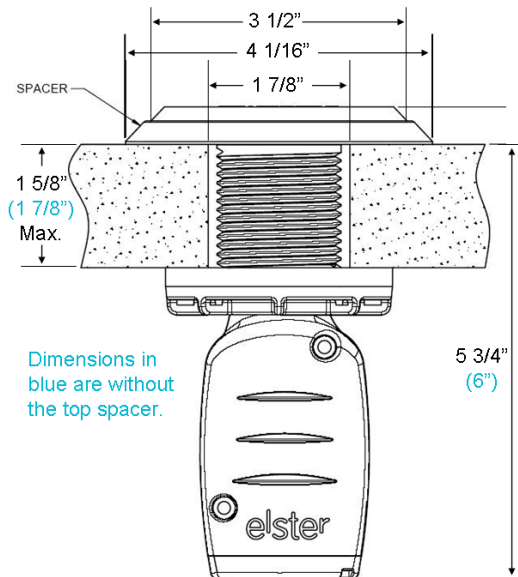
Recommended Installation: Shallow pits

Optional Installation: Mobile Systems with metal/cast-iron or polymer pit lids and where readings are not difficult to capture

Passive Radiator PMI



PMI Kit BQA5822



Recommended Installation: Fixed Networks with metal/cast-iron water meter pit lids.

Eliminate the top spacer where minimum protrusion above the pit lid is required.

Optional Installation: Mobile Systems with metal/cast-iron or polymer pit lids and where readings are difficult to capture

Elster AMCO Water, Inc.
1100 SW 38th Avenue
Ocala, FL 34474 USA

T +1 800 874 0890 (US)
T +1 866 703 7582 (Canada)
T +1 787 872 2006 (Caribbean)
F +1 352 368 1950

evolution@us.elster.com
www.elsteramcowater.com

© 2009 by Elster. All rights reserved.

evolution, evoRTM, evoHop, evoGate, evoTrak and evoValve are trademarks of Elster AMCO Water, Inc. Wavenis is a registered trademark of Coronis Systems.

The company's policy is one of continuous product improvement and the right is reserved to modify the specifications contained herein without notice.

Where possible, use the top spacer for increased signal strength and range.