

# Industrial Pulsers for C700

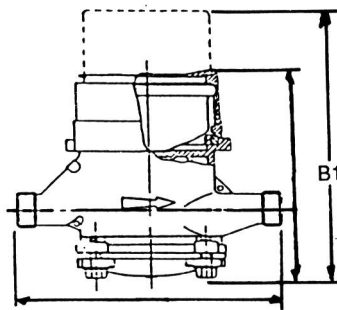
## Positive Displacement Cold Water Meters

Sizes: 1/2" - 2"



Materials	
Pulsar Can:	90% Copper Alloy
Pulsar Lens Cover:	Polycarbonate
Terminal Cover:	Polypropylene
Terminal Screws:	Brass
Pulsar Housing:	Reinforced Acetal
	Copolymer or Brass
Seal or Locking Screw:	Stainless Steel
Seal Nut:	Brass
Pulsar Support Ring:	ABS
Type A Generator:	Self-powered
Type B Limit Switch:	Rated at 3 Amps

Type "B"  
(B-1) Height with pulser



### Dimensions

#### Type "B"

Bronze		Polymer	
5/8" x 1/2"	6 7/8"	5/8" x 1/2" 7	3/16"
5/8" x 3/4"	6 7/8"	5/8" x 3/4"	7 3/16"
3/4" x 3/4"	8 1/16"	3/4" x 3/4"	7 11/16"
1"	8 1/2"		
1 1/2" Threaded	10 3/4"		
1 1/2" Flanged	10 3/4"		
2" Threaded	10"		
2" Flanged	10"		

Meter Size	USG		CU FT		M3(litre)	
	Std	Opt	Std	Opt	Std	Opt
5/8" x 1/2"	100	200	748	1496	26.42	52.8
5/8" x 3/4"	100	200	748	1496	26.42	52.8
3/4" x 3/4"	66.6	133.2	498	996	17.59	35.19
1"	24.6	49.2	184	368	6.49	12.99
1 1/2"	11.3	22.6	84.3	168.6	2.98	5.97
2"	5.6	11.1	41.78	83.56	1.47	2.95

**Type "B"/"BI".** The unit requires power from an external source. The "B"/"BI" pulser is identical in appearance to the Type "A", however, the "B"/"BI" unit is labeled (i.e. , 5/8" "B" or "BI" Pulsar N/O OR N/C). The pulser can be set up as a normally open contact or a normally closed contact, depending on your application. Please specify on order entry. The unit can provide contact closures to 3 amp @ 125 VAC max, depending on the power supplied. The pulser is suitable for use with remote counters, batch controllers or appropriate data collection devices. NOTE: This unit is normally wired in series.

#### Contact closure rates are:

Size	USG	Cu Ft	m3
1/2" - 1"	1 cont/gal	10 cont/cu ft	1 ont/litre
1 1/2" - 2"	1 cont/10 gal	1 cont/cu ft	1 cont/10 litre

Note: "B" is for C700 polymer all sizes and 1/2" & 2" C700. "BI" is for C700 bronze 5/8" x 1/2" thru 1".

**Type "SF".** Adds a high frequency output capability to a Standard C700 Register (retains register readability). Output is an open collector current sink (NPN) (20vma max.) magnetically actuated to provide a 50/50 open/closed ratio. NOTE: This unit requires power from an external source, as follows — supply voltage 6-24 VDC; supply current 13.5 mA (max.)(3-wire).



Improved Bronze Meter - Type "SFI" (2 Pole)

Meter Size	USG		CU FT		M3(litre)	
	Cont/Gal		Cont/CuFt		Cont/M3	
	Std	Opt	Std	Opt	Std	Op
5/8" x 1/2"	115.2	230.4	862	1724	30.43	60.87
5/8" x 3/4"	115.2	230.4	862	1724	30.43	60.87
3/4" x 3/4"	66.6	133.2	498	996	17.59	35.19
1"	30	60	224.4	448.8	7.9	15.84
2"	8.14	16.28	60.88	121.77	2.14	4.29

All these units are magnetically driven which eliminates mis-coupling and leak problems associated with unsealed units (i.e. packing glands).

Dimensions: Type "SF" and "SFI"

Add 2-3/4" to centerline to top dimension from C700 Specification Sheet.

Materials:

Pulser Can	90% Copper Alloy
Pulser Lens Cover	Cast Acrylic
Semi Cond. Sensor	Magneto Dependent Resistor
Magnet	Plastic Bonded Ferrite (2-4 pole)
Pulse Connection	Three Core PVC Shielded Cable

Electrical Specifications:

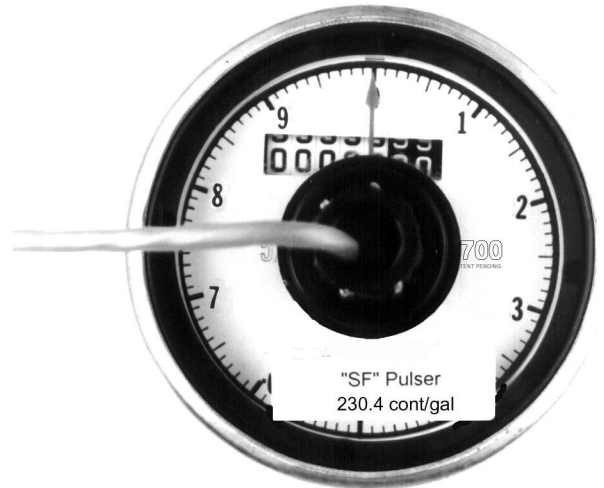
Supply Voltage	6 - 24 VDC
Supply Current	
(mA max.)	13.5 mA
(mA nominal)	6.0 mA
Output Resistance	10 k Ohms
@ 6V Supply Source Current	0.6 mA
@ 24V Supply Source Current	2.0 mA
Max. Sink Current	20 mA

Physical:

Water & Dust Protection	NEMA 4
Storage Temperature	-20°C to 70°C
	-4°F to 158°F
Working Temperature	Flowing Water to 120°F

Interface Specifications:

Red	(+) Pos. Power Supply
Black	(-) Negative
Clear	Output



Elster AMCO Water, Inc.  
PO Box 1852  
Ocala, FL 34478-1852  
United States

T +1 800 874 0890  
F +1 352 368 1950

watermeters@us.elster.com  
www.elster.com

© 2007 by Elster. All rights reserved.

The company's policy is one of continuous product improvement and the right is reserved to modify the specifications contained herein without notice. These products have been manufactured with current technology and in accordance with applicable AWWA Standards.

INDC7-PUL-001/06-07